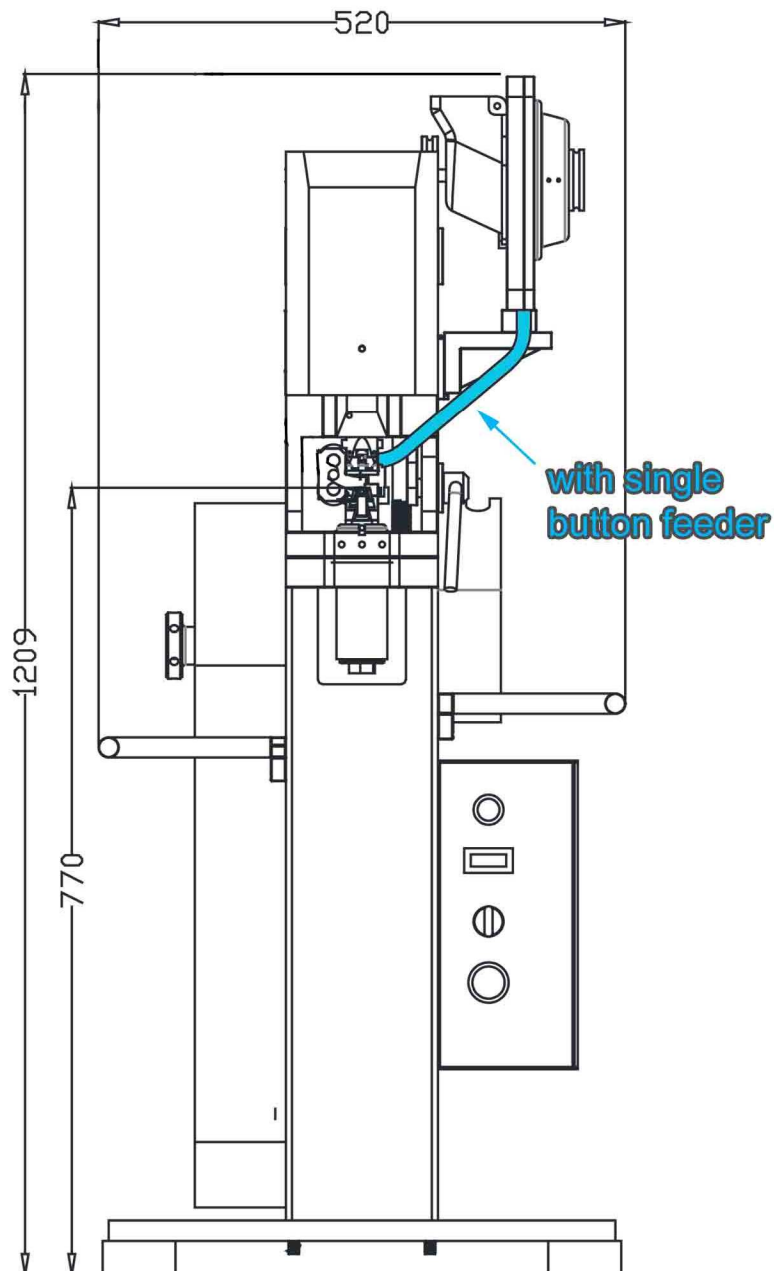
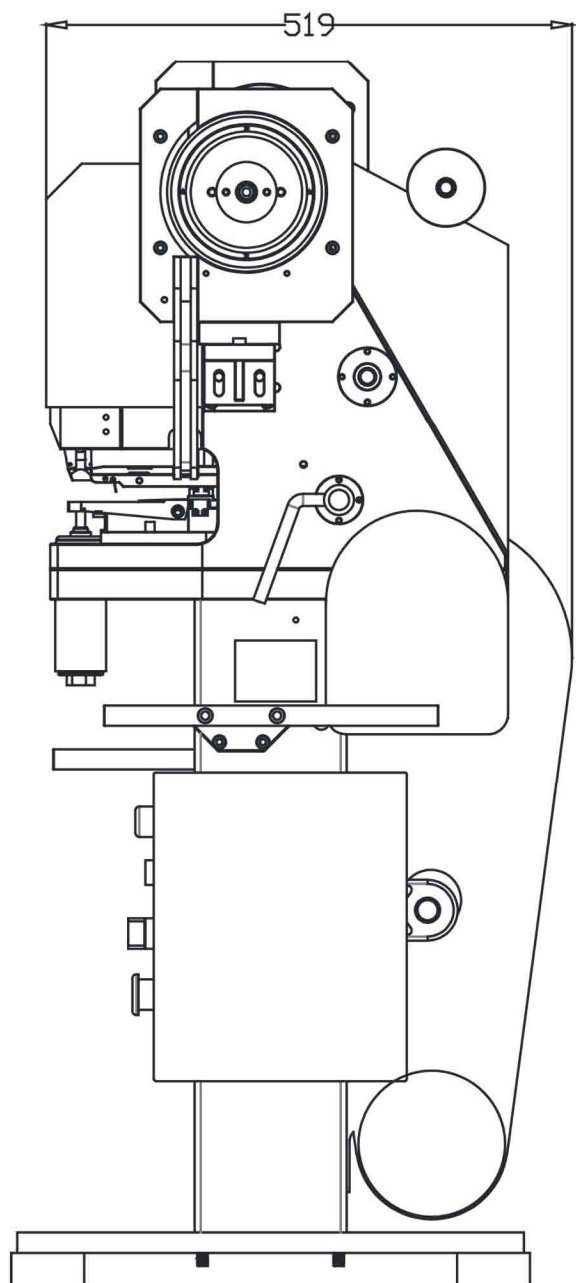


# FT-400CS



## Machine Drawing

Snap Fastening Machine  
with single snap automatic feeder



**Note:**

Cap part placed by hand for correct logo orientation if applicable

Rate of rotation: 1410 rpm  
Motor: HITACHI AC motor  
Machine dimensions (mm): 520 W x 519 L x 1209 H  
Weight: 160 kg  
Voltage: 220V/100V AC

**HCL ASIA LIMITED**  
[www.hcl-asia.com.hk](http://www.hcl-asia.com.hk)

Ref: 20170628